

FSW10 Pallet Wrapping Machine

OPERATION MANUAL



Machine	Semi-Automatic Pallet Wrapping Machine
Model	FSW10
Date	September 2017
Issue	FPA001

CONTENTS

1. General Information	2
1.1 Note of Installation	2
1.2 Notice of Operation	2
2. Specification	3
2.1 Specification Table	3
2.2 Machine Dimensions	4
2.3 Machine Description	5
3. Operation	6
3.1 Operation of Control Panel	6
3.2 Control button explanation	7
3.3 How to run a Wrapping Cycle	9
3.4 Illustration for Film Threading	10
3.5 Stretch tension adjust knob	10
3.6 Film quick release description	11
4. Electrical	11
4.1 Electrical Capacity	11
5. Suggested Maintenance and Trouble Shooting	12
5.1 Suggested Maintenance	12
5.2 Warranty Periods	12
5.3 Fromm Service Solutions	12
5.4 Possible Troubleshooting Causes and Remedies	13
6. Contact Fromm Packaging	14

1. GENERAL INFORMATION

Congratulations on the purchase of your Fromm Semi-Automatic Pallet Wrapping Machine. We trust you will have many years of packaging efficiency.

Before proceeding with the operation or installation of your new machine please read this manual thoroughly and gain a full understanding of the requirements, features and operation of your new machine.

1.1 Note of Installation

To make sure a safe and correct operation, please check below conditions before install the machine:

1. Power source capacity must be equal of the machine need.
2. Machine standard power is 240V (+- 10%).
3. Machine standard power Hertz is 50Hz. (+- 2%).
4. Machine is workable under the temperature between 0°C - 45°C.
5. Make sure the wire is tidy on the ground.
6. There should not be any vibration beside the machine, make sure the ground is flat.

1.2 Notice of Operation

To have good protection for the operator, please make sure the following conditions:

1. Before operating, please read the machine operational manual carefully.
2. Make sure there is no object put on the power cable.
3. Make sure there is no object put on the upper elevator unit.
4. Avoid any damp object or water around the electric parts.
5. Avoid film winded underneath the turntable.
6. Do not stand on or across the machine during operation.
7. When problem occurs, please read section - Suggested Maintenance and Trouble Shooting.

2. SPECIFICATION

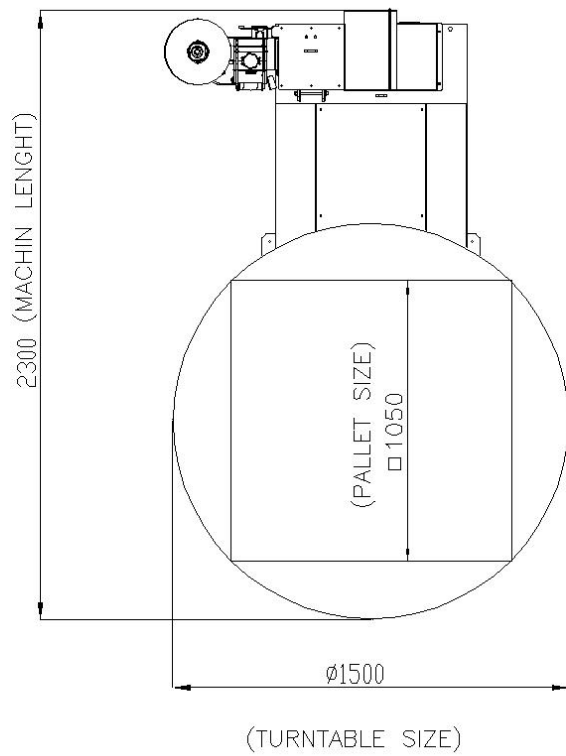
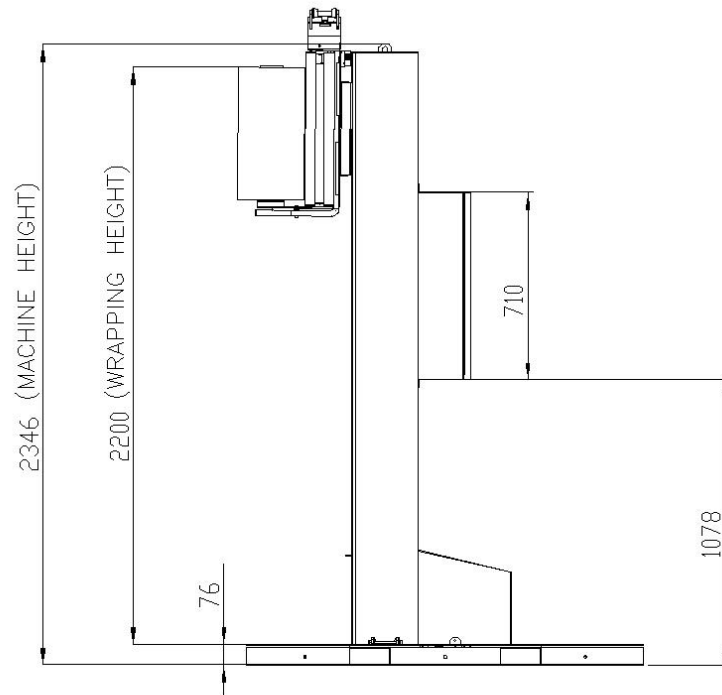
2.1 Specification Table

Model	FSW-10
Turntable Speed	10 RPM
Turntable diameter	1500mm
Max wrapping height	2200mm
Pallet size	1050x1050mm
Max loading weight	1200kgs
Film stretch (%)	Infinite / manual adjust
Max. film spec.	φ250x500mm
Turntable height	76mm
Ramp (slope) spec.	1165x1000m
Machine size	2300x1500x2346mm.
Machine net weight	335kg

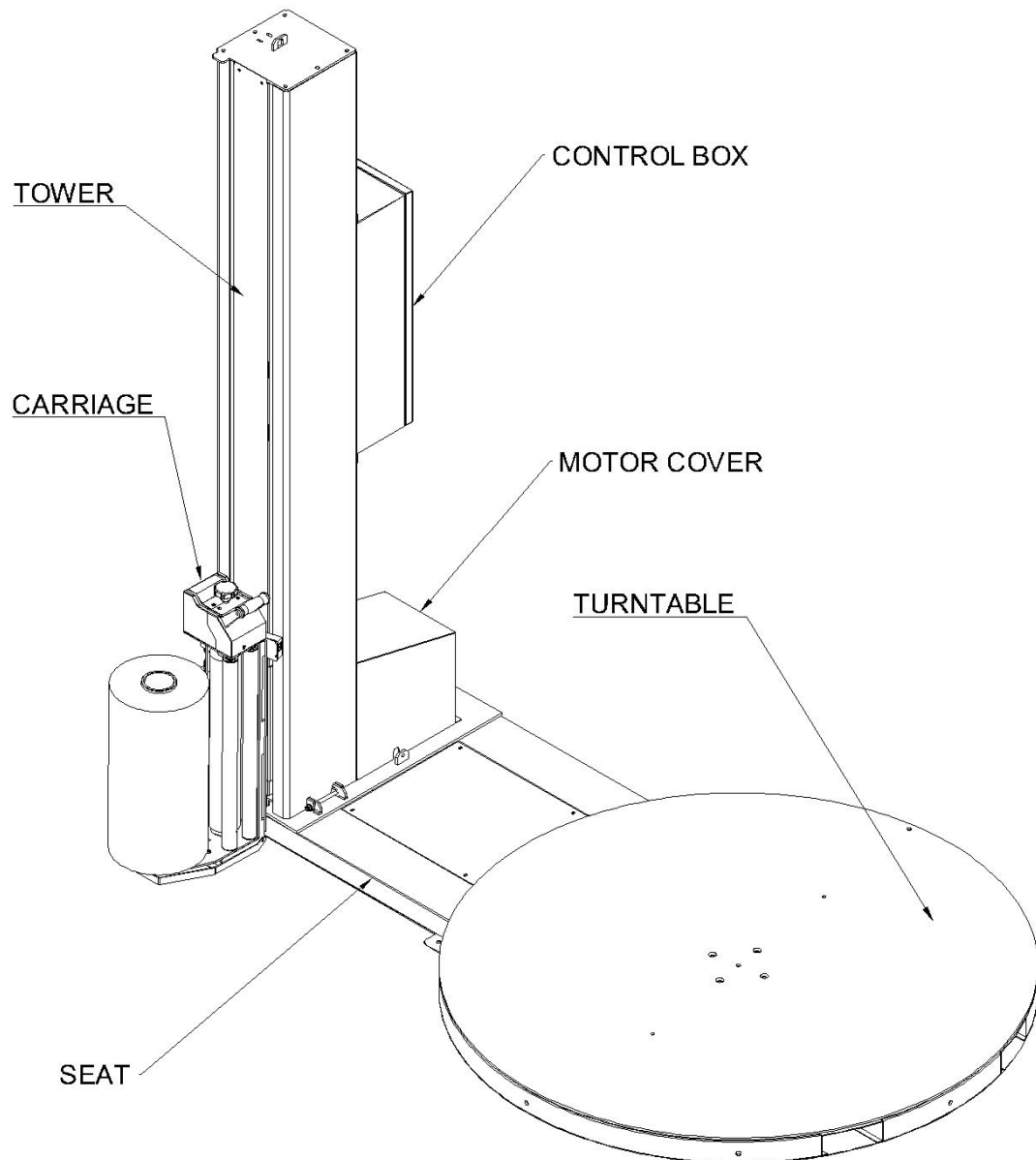
Options:

- 1.65m turntable diameter (max loading weight 1650kg).
- 2.6m and 3m wrapping height.
- Ramp.

2.2 Machine Dimensions

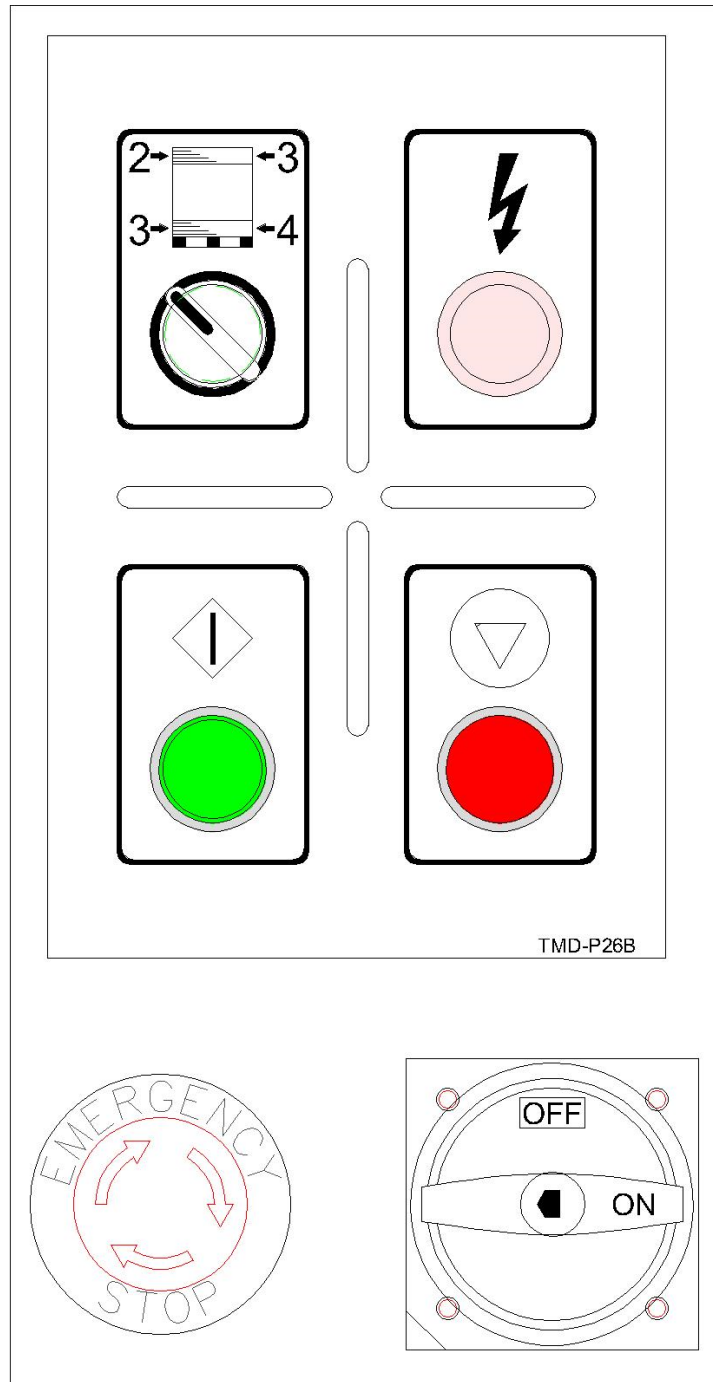


2.3 Machine Description



3. OPERATION

3.1 Operation of the control panel



3.2 Control Button Explanations



A. MAIN POWER

To switch ON and OFF the power.



B. POWER INDICATOR

Show that power is ON when light illuminates.

Machine Running, LED "Continue Flash"

Power Cut circuit (EMG, KEY, ETC) Flash Twice.



C. MODE SELECTIONS

This selector is to choose the number of top and bottom.

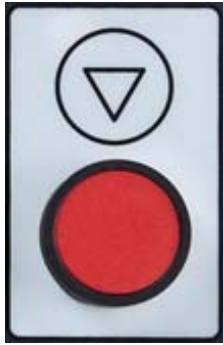
Mode 1: Top 2 wraps, bottom 3 wraps.

Mode 2: Top 3 wraps, bottom 4 wraps.



D. START

Press the button to start the cycle (automatic program).



E. PAUSE

During the wrapping cycle, if the machine is required to be stopped press **(E)** button to pause the cycle and press **(D)** button to resume back to operation.



F. EMERGENCY STOP

Press the button for emergency stop. For security consideration, the turntable will not stop instantly when the EMERGENCY STOP button is pressed. When the turntable power is off, the brake will release.

3.3 How to run a wrapping cycle

1. Turn the main power switch (**A**) to the **ON** position and check if the **Power Light** illuminates.
2. Select the top and bottom wraps with selector switch (**C**) (wrapping cycle).

Mode 1: 3 bottom wraps and 2 top wraps.

Mode 2: 4 bottom wraps and 3 top wraps.

Please note: During the machine operation, there is no need to stop the machine, to change the wrapping mode.

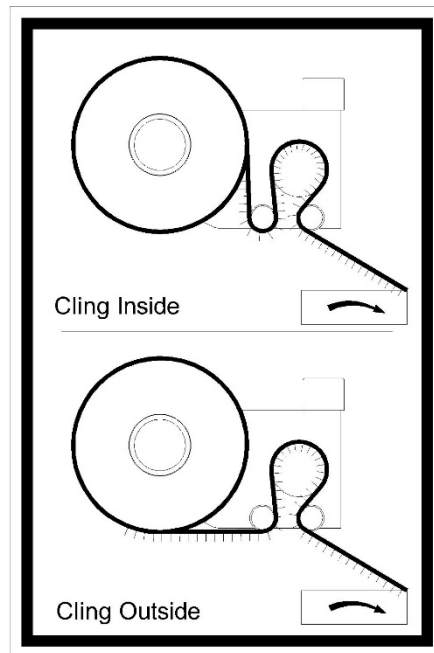
3. Press the Start button (**D**) to start wrapping the pack.
4. During the wrapping cycle, if the machine is required to be stopped, press the stop button (**E**) to pause the machine, then press start button (**D**) to resume back to operation.
5. When the wrapping cycle is finished, the carriage will return back to the bottom of the machine and stop automatically.
6. Return to **Operation Cycle** step 2, Start the Button Wrapping Cycle.
7. Please turn **OFF** the main power switch (**A**) when the machine is no longer in use.

Please press the emergency stop button (**F**) to stop the machine instantly, if any **Emergency** has occurs.

SECURITY BAR

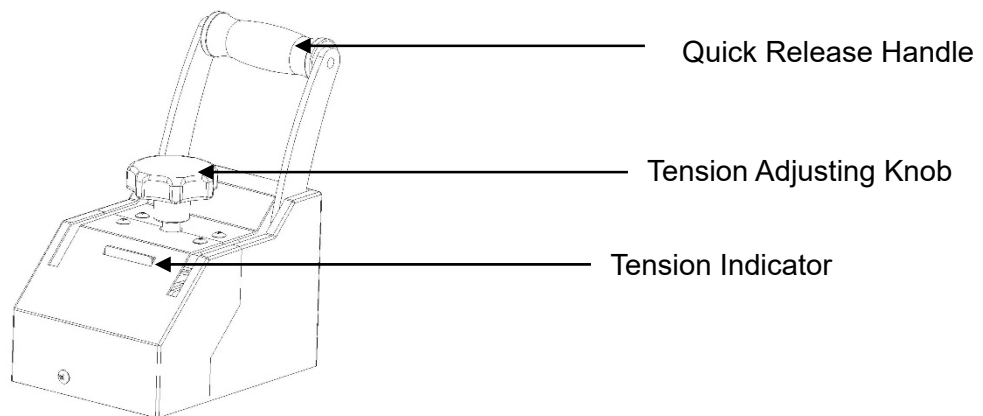
If the security switch is activated, the machine will stop moving. Make sure you have cleared the security bar to reset the security switch. Press the **START** button to continue wrapping cycle.

3.4 Illustration for film threading



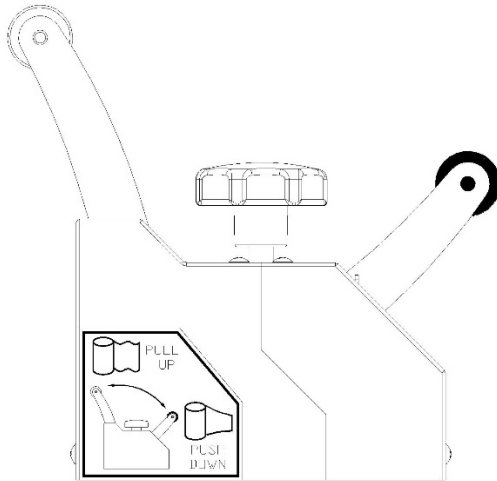
3.5 Stretch tension adjust knob

Turn the knob clockwise to increase the tension. Counterclockwise to decrease the tension.



3.6 Film Quick Release description

- Pull up the quick release handle upon applying film to the loads.
- Push down the quick release handle to engage the brake during the wrap cycle.



4. ELECTRICAL

4.1 Electrical Capacity

Power Consumption

Turntable motor	0.4 KW
Elevator motor	0.4 KW
Control & wiring box	DC 24V
Machine power use	0.85 KW
Overall power required	1 KW

Power Cable - Minimum 1.25mm²

Machine input - 240V /1 PHASE /50Hz

5. SUGGESTED MAINTENANCE & TROUBLE SHOOTING

5.1 Suggested Maintenance

Fromm Packaging Australia recommends servicing every six months as a minimum, but many machines have different service intervals depending on condition and throughput. It's best to discuss your servicing requirements with Fromm Packaging.

5.2 Warranty Periods

To provide you with peace of mind all Fromm stretch wrapping, strapping and carton taping equipment includes a two year warranty from the date of delivery to your site. The warranty includes all deficiencies clearly resulting from poor manufacturing or faulty materials. Damage claims as a result of production shutdowns and claims for damage to persons and to property resulting from warranty deficiencies covering structural components and non-wearing parts effective from the date of delivery to your site.

The warranty excludes:

- Wearing parts (rollers, motors and belts),
- Deficiencies resulting from improper installing, incorrect handling and maintain the equipment,
- Disregard of directions in the operation manual,
- Unauthorised repair work to the equipment,
- Use of consumable products not recommended by the supplier of the equipment.

We reserve the right to modify the product any time in order to improve the quality.

5.3 Fromm Service Solutions

Fromm service technicians are trained to service all stretch wrapping, strapping and carton taping machines which we sell and are your on-site expert support to optimise the performance and reliability of your packaging equipment.

With technical offices in Sydney, Brisbane and Melbourne metro areas we are on hand to ensure your equipment is running smoothly. Customers located outside metropolitan areas we offer phone support and can organise onsite technical support when required.

5.4 Possible troubleshooting causes

Machine trouble	Cause	Solution
Machine does not work.	Power supply for motor is tripped.	Reset circuit breaker.
	Screen lamp not ON.	Check microprocessor board.
	Foot security bar is activated.	Release/clear the security bar switch.
Turntable does not turn.	Microprocessor board is faulty.	Replace the microprocessor board.
	Motor stop turning	Check power. Check motor and control card. Replace the motor control card.
Turntable does not stop in home position.	Turntable proximity switch not working.	Check the proximity switch underneath turntable. If it's fine, then adjust the sensing plate.
Carriage unit cannot move.	Microprocessor board is faulty.	Replace microprocessor board.
	Motor stop turning.	Check the top and bottom limit. Release/clear the security bar switch.
When running machine the carriage unit goes up and over the package height.	Photo sensor is sensing another object past the pack.	Make sure there is no object past the machine that the auto height sensor.
	Photo sensor is switching from another light source.	Avoid the light source.
		Check the photo sensor.
Carriage does not rise.	Photo sensor is faulty.	Replace photo sensor.
	Photo sensor cannot sense a black coloured package.	Avoid black coloured product.
	Turntable proximity switch is not working.	Check the proximity switch.

6. CONTACT FROMM PACKAGING AUSTRALIA

For any questions please contact Fromm Packaging Australia

Phone: 1800 023 890

Email: info@fromm-pack.com.au

Postal Address: PO Box 4016, Mt Ommaney QLD 4074